

BLADE 230 S HELICOPTER AL/Carbon Fiber Light Weight Tail Motor Mount w/ Fin "F" set INSTRUCTION

MICROHELI CO., LTD.

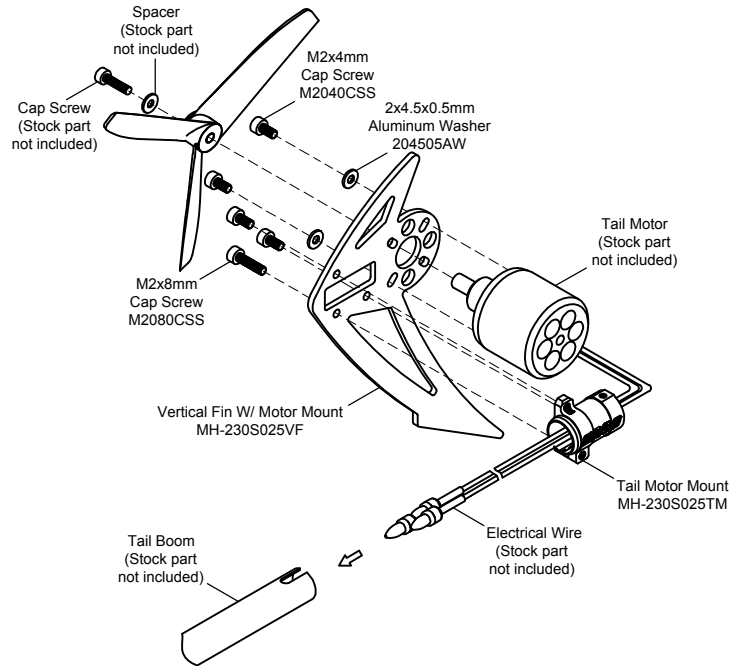
COPYRIGHT © 2017 MICROHELI®

1 AL/CARBON FIBER LIGHT WEIGHT TAIL MOTOR MOUNT W/ FIN "F" SET MH-230S025F



Apply Loctite to all screws

M2x4mm Cap Screw	x4
M2x8mm Cap Screw	x1
2x4.5x0.5mm Aluminum Washer	x2



Apply Loctite

CAUTION: Please check your model helicopter carefully before attempt to fly!

REV. 230S025VF-131015-01