

# BLADE 180 CFX HELICOPTER Aluminum Tail Boom Support Mount INSTRUCTION

MICROHELI CO., LTD.

COPYRIGHT © 2017 MICROHELI®

## 1 ALUMINUM TAIL BOOM SUPPORT MOUNT MH-18FX023



Apply Loctite to all screws

M1.4x5mm Phillips Head Screw

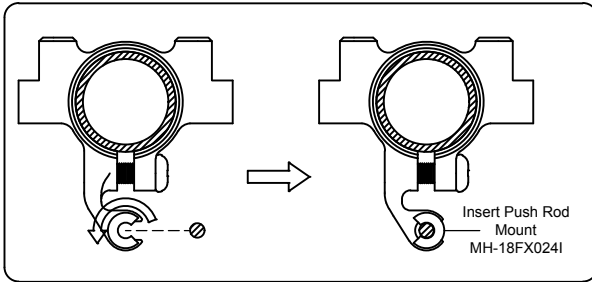
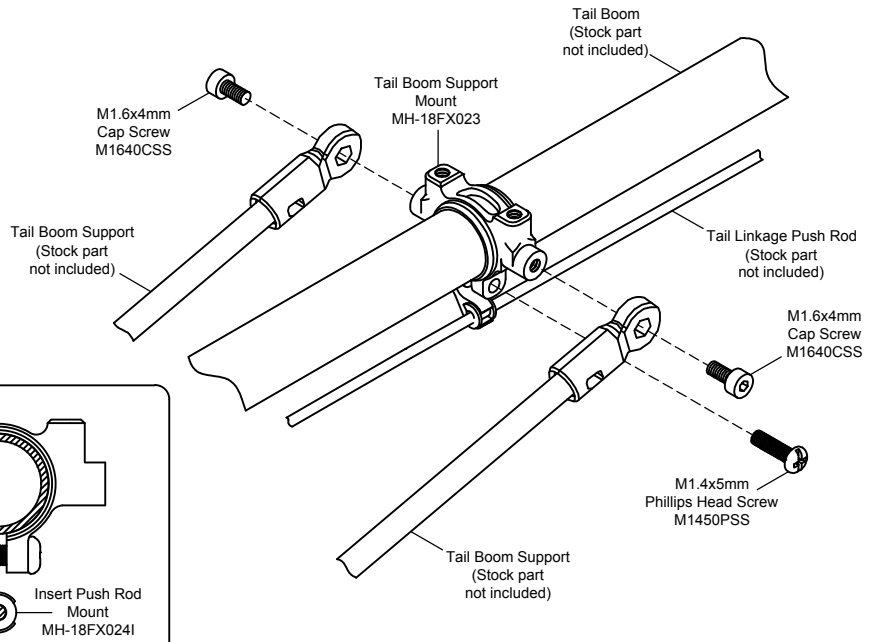


.....x1

M1.6x4mm Cap Screw



.....x2



Apply Loctite

**CAUTION: Please check your model helicopter carefully before attempt to fly!**

REV. 18FX023-271114-01

01