

# BLADE 180 CFX HELICOPTER AL Tail Pulley w/ Timing Belt Conversion combo INSTRUCTION

MICROHELI CO., LTD.

COPYRIGHT © 2015 MICROHELI®

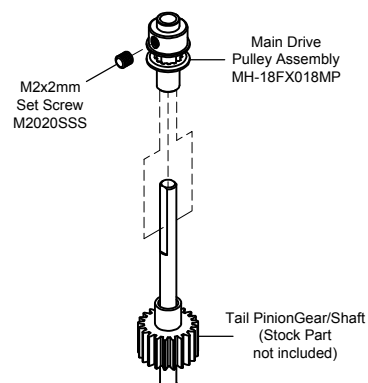
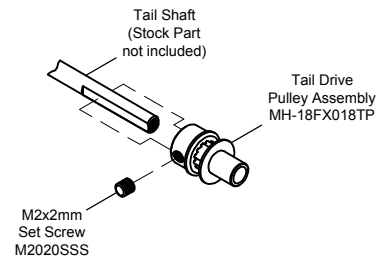
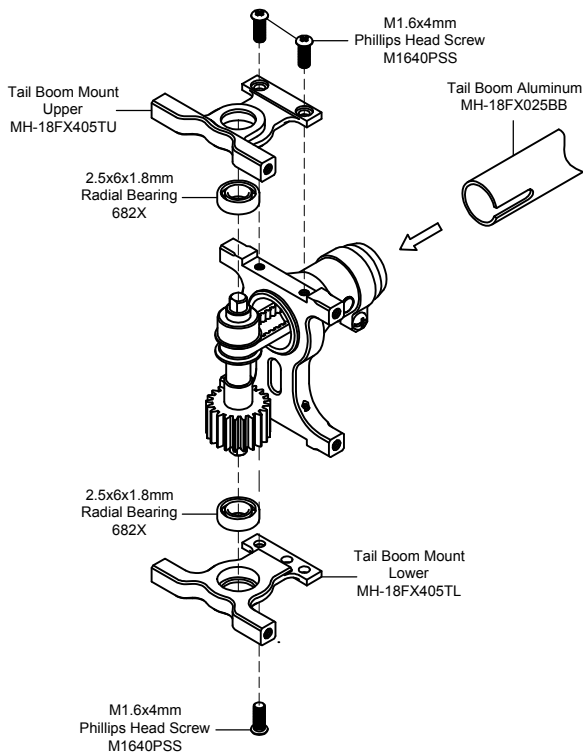
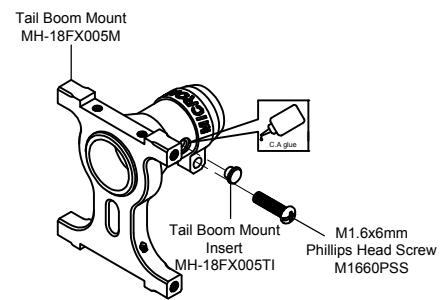
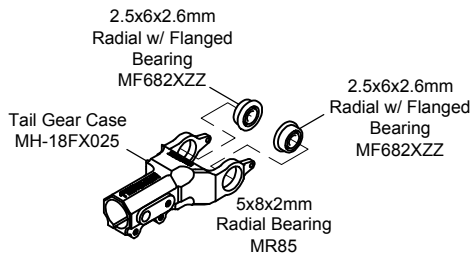
1

## AL TAIL PULLEY W/ TIMING BELT CONVERSION COMBO MH-18FX018BX



Apply Loctite to all screws

M1.6x4mm Phillips Head Screw .....x2	M2x2mm Set Screw .....x2	1-72UNFx3/16" Hexagon Screw .....x1
M1.6x6mm Phillips Head Screw .....x1	M1x2mm Phillips Head Screw .....x2	0-80UNFx7/16" Hexagon Screw .....x1
2.5x6x1.8mm Radial Bearing .....x2	M1x3mm Phillips Head Screw .....x2	M1.6x4mm Cap Screw .....x7
2.5x6x2.6mm Radial w/ Flanged Bearing .....x2	M1.4x6mm Phillips Head Screw .....x2	



Apply Loctite

**CAUTION: Please check your model helicopter carefully before attempt to fly!**

REV. 18FX018BX-131115-01