

BLADE 230 S HELICOPTER CNC Delrin Main Gear w/ Aluminum Hub set INSTRUCTION

MICROHELI CO., LTD.

COPYRIGHT © 2017 MICROHELI®

1 CNC DELRIN MAIN GEAR W/ ALUMINUM HUB SET MH-230S068



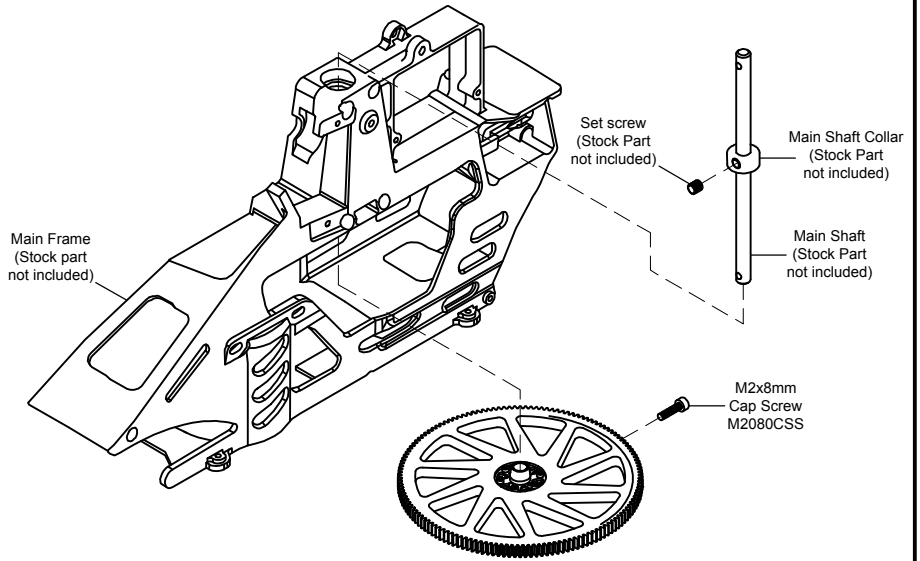
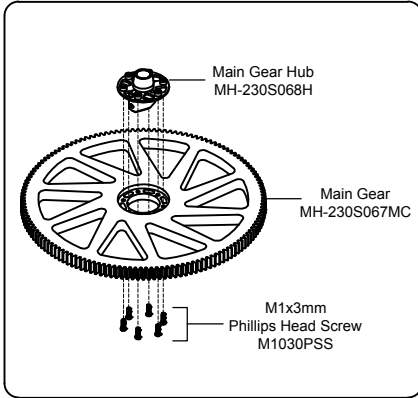
Apply Loctite to all screws

M1x3mm Phillips Head Screw

.....x6

M2x8mm Cap Screw

.....x1



Apply Loctite

CAUTION: Please check your model helicopter carefully before attempt to fly!

REV. 230S068-151015-01

01