

BLADE 180 CFX HELICOPTER Low Profile Carbon Fiber Landing Gear "U" Style INSTRUCTION

MICROHELI CO., LTD.

COPYRIGHT © 2017 MICROHELI®

1

LOW PROFILE CARBON FIBER LANDING GEAR "U" STYLE MH-18FX016U



Apply Loctite to all screws

M1.2X2mm Phillips Head Screw



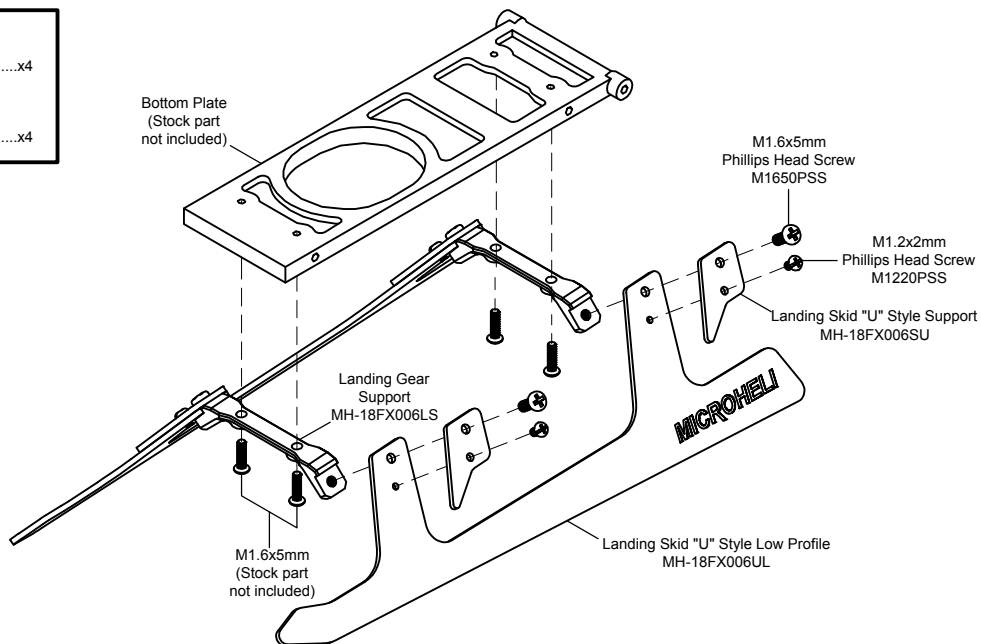
.....x4

M1.6x5mm Phillips Head Screw



.....x4

Bottom Plate
(Stock part
not included)



Apply Loctite

CAUTION: Please check your model helicopter carefully before attempt to fly!

REV. 18FX016U-041214-01

01