

# BLADE 180 CFX HELICOPTER Aluminum Tail Boom Mount/Servo INSTRUCTION

MICROHELI CO., LTD.

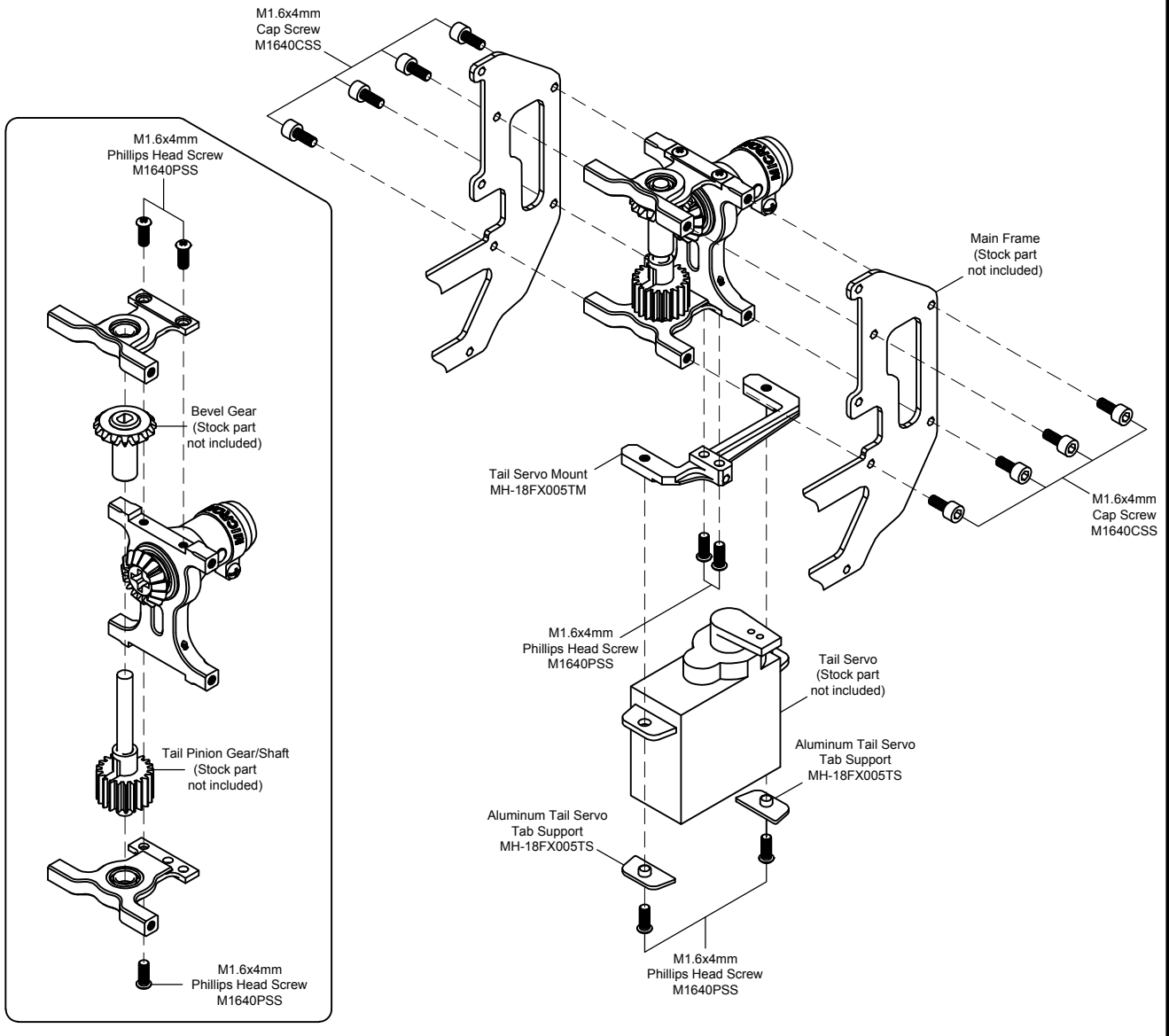
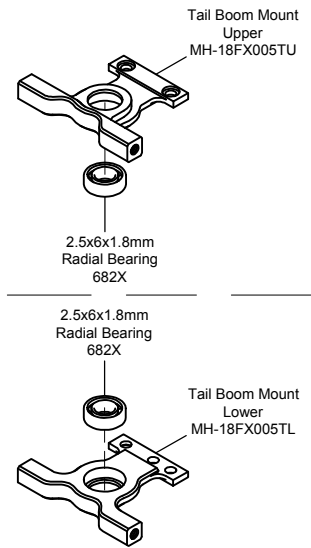
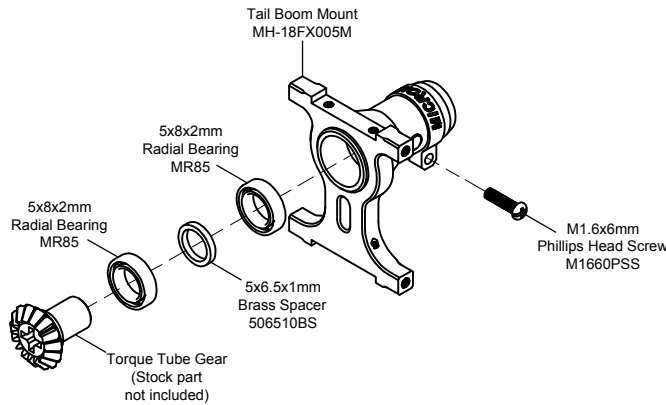
COPYRIGHT © 2017 MICROHELI®

## 1 ALUMINUM TAIL BOOM MOUNT/SERVO MH-18FX005M



Apply Loctite to all screws

- M1.6x4mm Cap Screw .....x8
- M1.6x4mm Phillips Head Screw .....x7
- M1.6x6mm Phillips Head Screw .....x1
- 5x6.5x1mm Brass Spacer .....x1
- 2.5x6x1.8mm Radial Bearing .....x2
- 5x8x2mm Radial Bearing .....x2



Apply Loctite



Apply C.A. glue

**CAUTION: Please check your model helicopter carefully before attempt to fly!**

REV. 18FX005M-120115-01