

BLADE 180 CFX HELICOPTER CNC Blade 180 CFX Triple Orange Blade Conversion combo

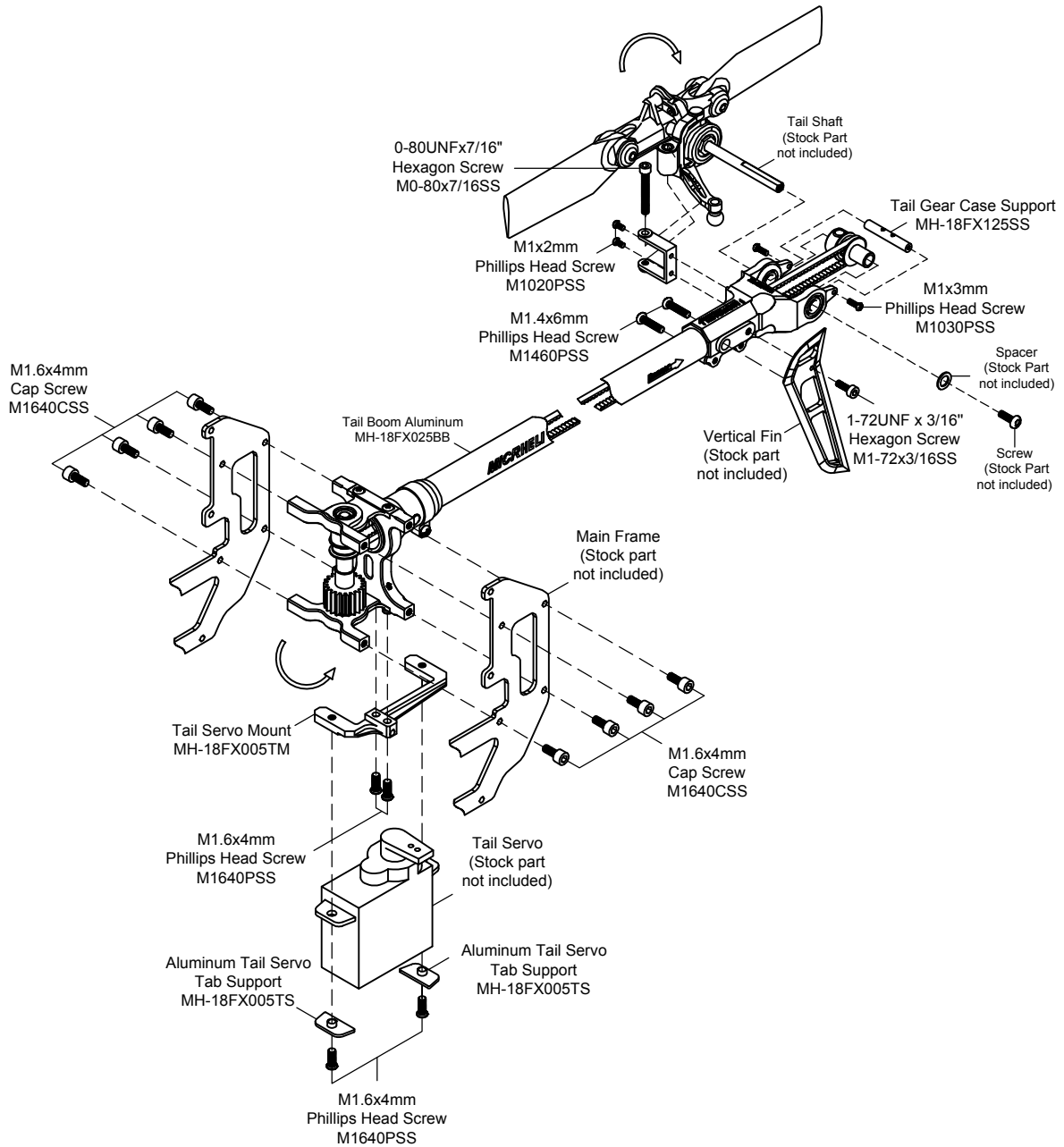
MICROHELI CO., LTD.

COPYRIGHT © 2017 MICROHELI®

4 AL TAIL PULLEY W/ TIMING BELT CONVERSION COMBO MH-18FX-TBCW



Apply Loctite to all screws



Apply Loctite

CAUTION: Please check your model helicopter carefully before attempt to fly!

REV. 18FX-TBCW-210917-02