

BLADE 180 CFX HELICOPTER CNC Blade 180 CFX Triple Orange Blade Conversion combo

MICROHELI CO., LTD.

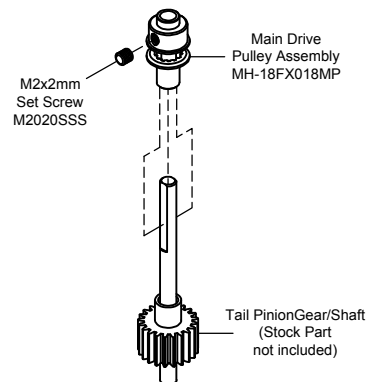
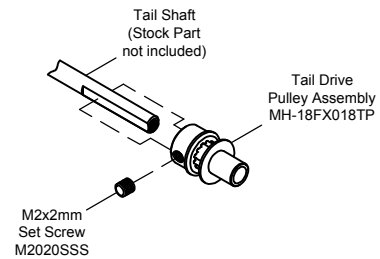
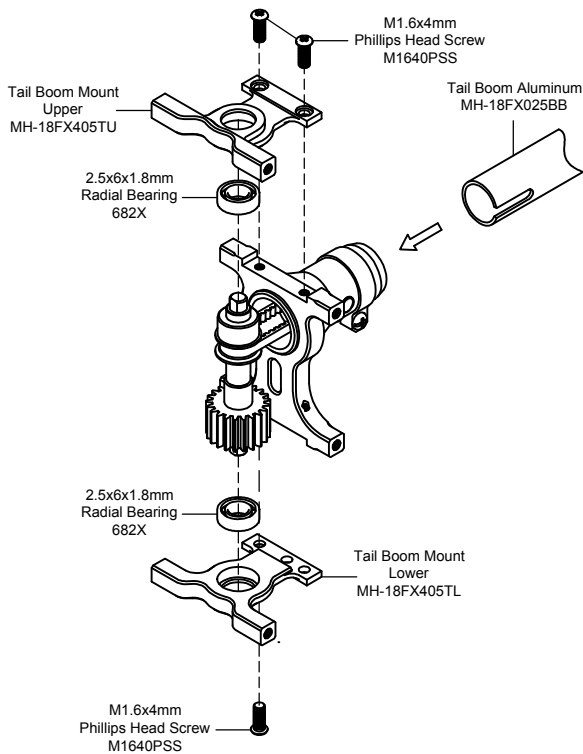
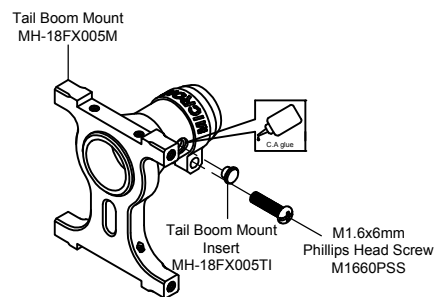
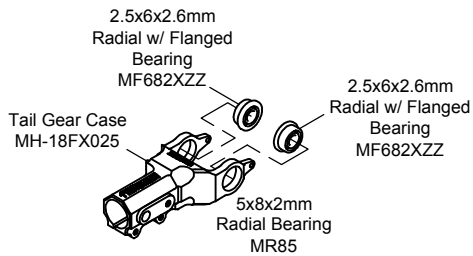
COPYRIGHT © 2017 MICROHELI®

3 AL TAIL PULLEY W/ TIMING BELT CONVERSION COMBO MH-18FX-TBCW



Apply Loctite to all screws

M1.6x4mm Phillips Head Screwx2	M2x2mm Set Screwx2	1-72UNFx3/16" Hexagon Screwx1
M1.6x6mm Phillips Head Screwx1	M1x2mm Phillips Head Screwx2	0-80UNFx7/16" Hexagon Screwx1
2.5x6x1.8mm Radial Bearingx2	M1x3mm Phillips Head Screwx2	M1.6x4mm Cap Screwx7
2.5x6x2.6mm Radial w/ Flanged Bearingx2	M1.4x6mm Phillips Head Screwx2	



Apply Loctite

CAUTION: Please check your model helicopter carefully before attempt to fly!

REV. 18FX-TBCW-210917-02