

# BLADE 180 CFX HELICOPTER CNC Blade 180 CFX Triple Orange Blade Conversion combo

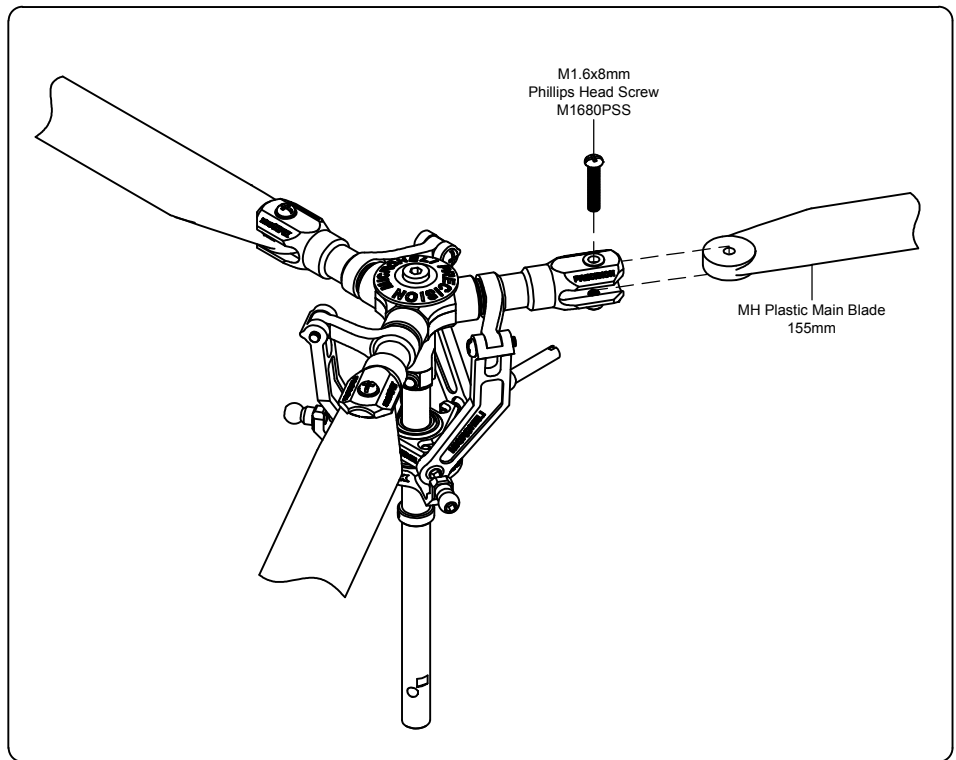
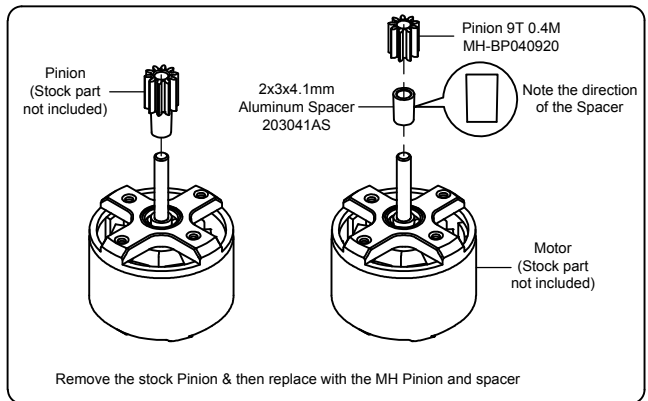
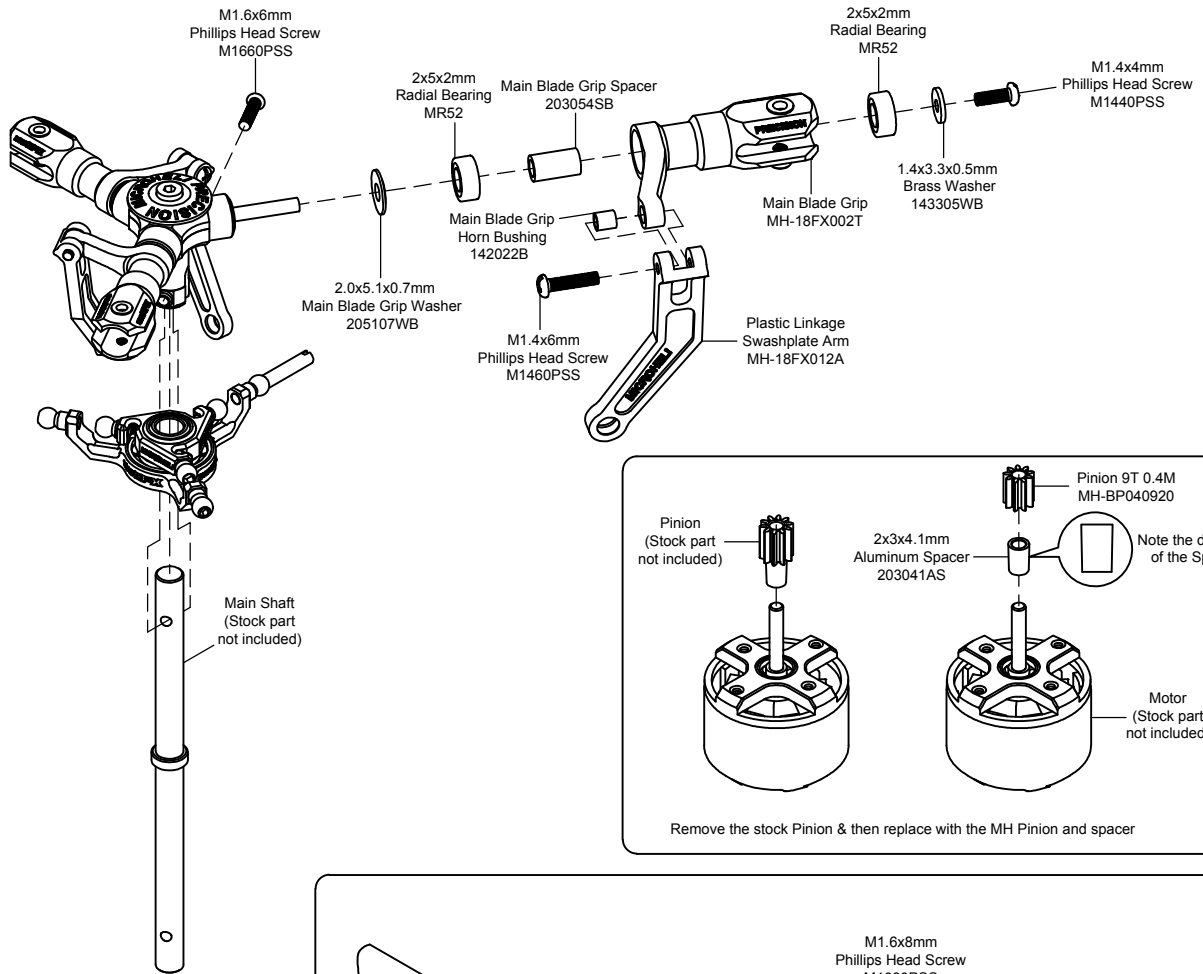
MICROHELI CO., LTD.

COPYRIGHT © 2017 MICROHELI®

## 2 CNC ALUMINUM/PLASTIC TRIPLE ORANGE BLADE CONVERSION SET MH-18FX-TBCW



Apply Loctite to all screws



Apply Loctite

**CAUTION: Please check your model helicopter carefully before attempt to fly!**

REV. 18FX-TBCW-210917-02